

US 1007/1008 MULTISPRING PUSHER SEAL



FEATURES:

- UNITIZED COMPRESSION
UNITBIDIRECTIONAL
ROTATION
- AVAILABLE IN METRIC
SIZES
- APPLICATION SPECIFIC
DESIGN (VARIATIONSFOR
DIFFERENT NEEDS)

APPLICATIONS:

- CLEAR AND LUBRICATING
MEDIAI PETROCHEMICALS
- GENERAL CHEMICALS
- REFINERY SERVICES

MATERIALS:

- METAL PARTS : SS316,
ALLOY-20, HAST-C
- ELASTOMERS : VITON,
AFLAS, SILICON, PTFE,
FFKM, EPR
- ROTARY FACE : SiC, GFT,
CARBON
- STATIONARY FACE : SiC,
TC, CERAMIC





UNIQUE SEAL

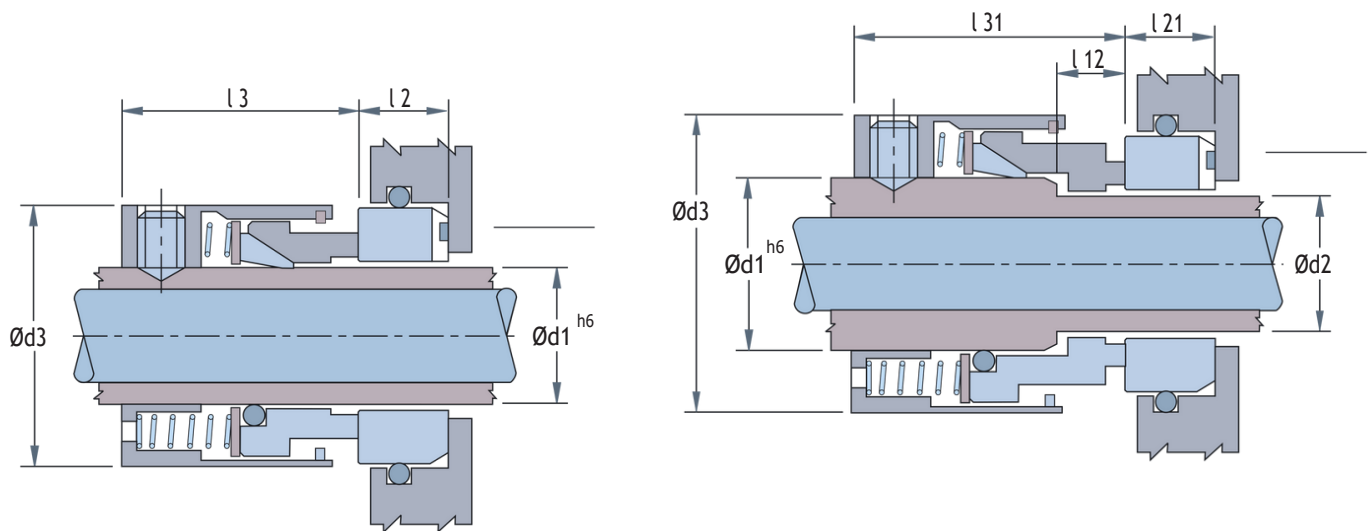
Engineering Co.

OPERATING RANGE

PRESSURE
UPTO 16 Kg

TEMPERATURE
- 10° C TO 250° C
DEPENDING UPON
ELASTOMER

SPEED
2900 rpm



Dimensions (in mm):

d1	d2	d3	l2	l21	l3	l31	l12
19.05	15.87	30.2	11.1	11.1	28.6	33.3	7.1
22.22	19.05	33.3	11.1	11.1	28.6	33.3	7.1
25.4	22.22	40.4	12.7	11.1	28.6	33.3	7.1
28.57	25.4	43.6	12.7	12.7	28.6	34.9	8.7
31.75	25.4	48.3	12.7	12.7	28.6	34.9	8.7
34.92	28.57	49.6	12.7	12.7	29.4	36.5	9.5
38.1	31.75	53.2	12.7	12.7	29.4	36.5	9.5
41.27	34.92	56.3	12.7	12.7	29.4	38.1	11.1
44.45	38.1	59.5	12.7	12.7	29.4	38.1	11.1
47.62	41.27	63.5	12.7	12.7	29.4	38.1	11.1
50.8	44.45	66.7	12.7	12.7	29.4	38.1	11.1
53.97	47.62	71.4	14.3	12.7	29.4	38.1	11.1
57.15	50.8	72.2	14.3	12.7	34.1	44.4	12.7
60.32	53.97	76.2	14.3	14.3	34.1	44.4	12.7
63.5	57.15	79.4	14.3	14.3	34.1	44.4	12.7
66.67	60.32	82.6	15.9	14.3	36.5	46.8	12.7





UNIQUE SEAL
Engineering Co.

69.85	63.5	85.7	15.9	14.3	36.5	46.8	12.7
73.02	66.67	93.6	15.9	15.9	36.5	46.8	12.7
76.2	69.85	97.0	15.9	15.9	36.5	46.8	12.7
79.37	73.02	101.6	15.9	15.9	36.5	46.8	12.7
82.55	76.2	104.8	15.9	15.9	36.5	46.8	12.7
85.72	79.37	107.9	15.9	15.9	36.5	46.8	12.7
88.9	82.55	111.1	15.9	15.9	36.5	46.8	12.7
92.07	85.72	114.3	17.4	15.9	38.1	46.8	12.7
95.25	88.9	117.5	17.4	15.9	38.1	46.8	12.7
98.42	92.07	120.6	17.4	17.4	38.1	46.8	12.7
101.6	95.25	123.8	17.4	17.4	38.1	46.8	12.7

