

## US M3N

Mechanical seals | Mechanical seals for pumps | Pusher seals



### FEATURES:

- FOR STEPPED SHAFTS
- SINGLE SEAL
- BALANCED
- DEPENDENT OF DIRECTION OF ROTATION
- TORQUE TRANSMISSION VIA CONICAL SPRING

### MATERIALS:

- SEAL FACE: CARBON GRAPHITE  
ANTIMONY IMPREGNATED
- SEAT: SILICON CARBIDE, SPECIAL CAST  
CrMo STEEL

### APPLICATIONS:

- CHEMICAL INDUSTRY
- WATER & WASTE WATER TECHNOLOGY
- HOT WATER
- WATER & SEWAGE PUMPS
- CHEMICAL STANDARD PUMPS





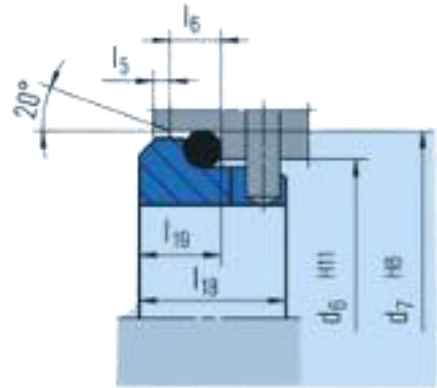
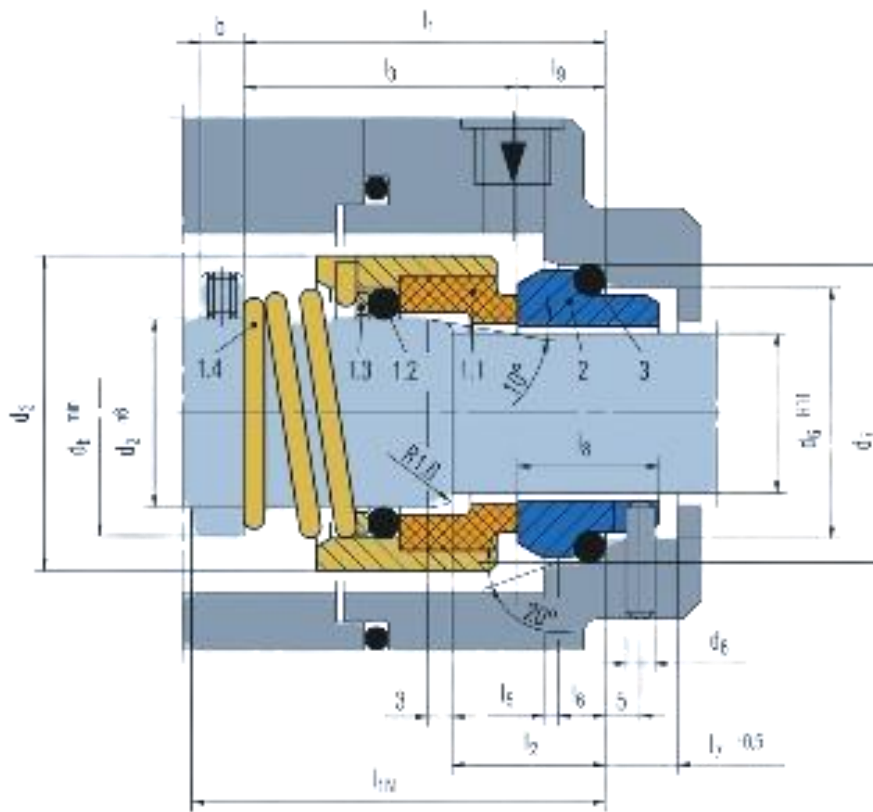
# UNIQUE SEAL Engineering Co.

## OPERATING RANGE

**PRESSURE**  
18 Kg

**TEMPERATURE**  
- 20° C TO 210° C

**SPEED**  
2900 rpm



Item	Description
1.1	Seal face
1.2	O-Ring
1.3	Thrusting
1.4	Righthand spring
1.4	Lefthand spring
2	Seat
3	O-Ring





**Dimensions (in mm):**

d1	d2	d3	d6	d7	d8	d21	d22	db	lN	l1	l2	l3	l5	l6	l7	l8	l9	l18	l19	l39	l40	a	b	e	h1	h2	k	b')
20	24	38	29	35	3	-	-	30	60	44.0	20	32.5	2.0	5	9.0	19.5	11.5	15	7	-	-	-	6	-	-	-	-	8.0
22	26	40	31	37	3	-	-	31	60	44.0	20	32.5	2.0	5	9.0	19.5	11.5	15	7	-	-	-	6	-	-	-	-	8.0
24	28	42	33	39	3	-	-	35	60	44.0	20	32.5	2.0	5	9.0	19.5	11.5	15	7	-	-	-	6	-	-	-	-	8.0
25	30	44	34	40	3	-	-	37	60	45.0	20	33.5	2.0	5	9.0	19.5	11.5	15	7	-	-	-	6	-	-	-	-	8.0
28	33	47	37	43	3	44.65	50.57	40	65	47.0	20	35.5	2.0	5	9.0	19.5	11.5	15	7	24	8.5	24	6	8	6.6	22.6	9	8.0
30	35	49	39	45	3	47.83	53.75	43	65	47.0	20	35.5	2.0	5	9.0	19.5	11.5	15	7	24.5	9.0	24	6	8	6.6	22.6	9	8.0
32	38	54	42	48	3	47.83	53.75	45	65	51.0	20	39.5	2.0	5	9.0	19.5	11.5	15	7	24.5	9.0	24	6	8	6.6	22.6	9	7.5
33	38	54	42	48	3	47.83	53.75	45	65	51.0	20	39.5	2.0	5	9.0	19.5	11.5	15	7	24.5	9.0	24	6	8	6.6	22.6	9	7.5
35	40	56	44	50	3	51	56.92	49	65	55.0	20	43.5	2.0	5	9.0	19.5	11.5	15	7	24.5	9.0	24	6	8	6.6	22.6	9	8.0
38	43	59	49	56	4	54.18	60.10	52	75	60.0	23	46.0	2.0	6	9.0	22.0	14.0	16	8	26	11	24	6	8	6.6	22.6	9	7.5
40	45	61	51	58	4	60.53	66.45	55	75	62.0	23	48.0	2.0	6	9.0	22.0	14.0	16	8	26	11	24	6	8	6.6	22.6	9	8.0
43	48	64	54	61	4	63.7	69.62	58	75	65.0	23	51.0	2.0	6	9.0	22.0	14.0	16	8	26	11	24	6	8	6.6	22.6	9	8.0
45	50	66	56	63	4	63.7	69.62	61	75	69.0	23	55.0	2.0	6	9.0	22.0	14.0	16	8	26	11	24	6	8	6.6	22.6	9	(8)
48	53	69	59	66	4	66.88	72.80	64	85	69.0	23	55.0	2.0	6	9.0	22.0	14.0	16	8	26	11	24	8	8	6.6	22.6	9	8.0
50	55	71	62	70	4	70.05	75.97	66	85	73.0	25	58.0	2.5	6	9.0	23.0	15.0	17	9.5	26.5	12.5	24	8	8	6.6	22.6	9	8.0
53	58	78	65	73	4	76.4	82.32	69	85	75.0	25	60.0	2.5	6	9.0	23.0	15.0	17	9.5	26.5	12.5	24	8	8	6.6	22.6	9	8.0
55	60	79	67	75	4	76.4	82.32	71	85	75.0	25	60.0	2.5	6	9.0	23.0	15.0	17	9.5	28.5	12.5	26	8	8	6.6	24.6	11	8.0
58	63	83	70	78	4	79.58	85.50	74	85	75.0	25	60.0	2.5	6	9.0	23.0	15.0	18	10.5	28.5	12.5	26	8	8	6.6	24.6	11	8.0
60	65	85	72	80	4	82.75	88.67	77	95	75.0	25	60.0	2.5	6	9.0	23.0	15.0	18	10.5	28.5	12.5	26	8	8	6.6	24.6	11	8.0
63	68	88	75	83	4	85.93	91.85	80	95	75.0	25	60.0	2.5	6	9.0	23.0	15.0	18	10.5	28.5	12.5	26	8	8	6.6	24.6	11	8.0
65	70	90	77	85	4	85.93	91.85	83	95	76.0	25	61.0	2.5	6	9.0	23.0	15.0	18	10.5	28.5	12.5	26	8	8	6.6	24.6	11	10.0
70	75	98	83	92	4	89.1	95.02	88	95	81.0	28	63.0	2.5	7	9.0	26.0	18.0	19	11.5	30.5	14.5	26	8	8	6.6	24.6	11	10.0
75	80	103	88	97	4	98.63	104.55	93	105	86.0	28	68.0	2.5	7	9.0	26.0	18.0	19	11.5	30.5	14.5	26	10	8	6.6	24.6	11	10.0
80	85	109	95	105	4	101.8	107.72	98	105	86.0	28	68.0	3.0	7	9.0	26.2	18.2	19	11.5	30.2	14	26	10	8	6.6	24.6	11	10.0

